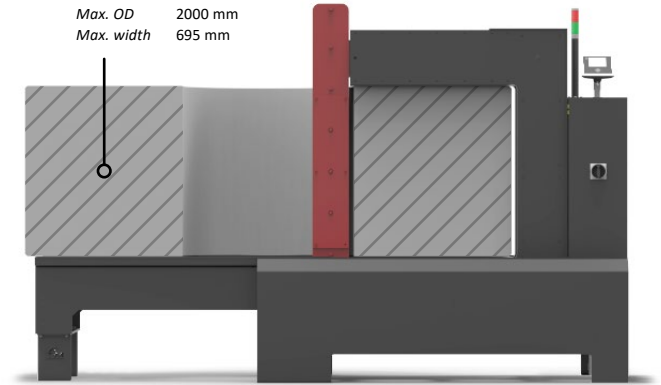


DIMENSIONS WORKPIECE HORIZONTAL

(IN MILLIMETERS)

Min. bore	ø85
Max. outer diameter	ø2000
Max. width	695

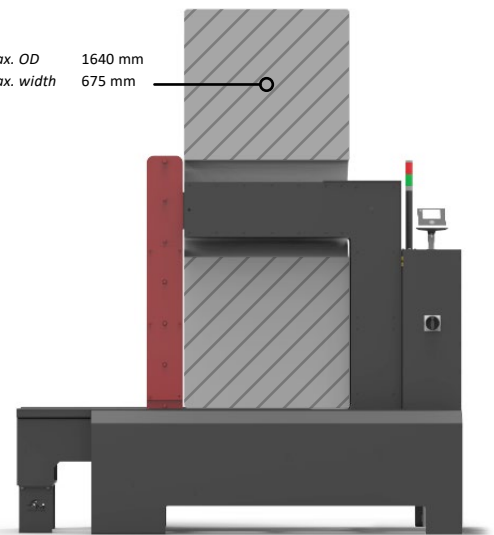


DIMENSIONS WORKPIECE VERTICAL

(IN MILLIMETERS)

Min. bore	ø400
Max. outer diameter	ø1640
Max. width	675

Max. OD 1640 mm
 Max. width 675 mm

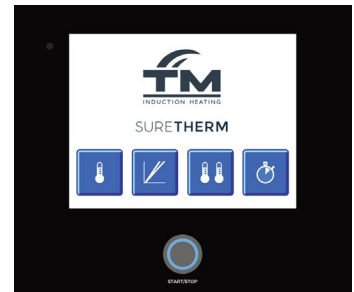


All extreme dimensions shown are theoretical. In practice there are multiple factors (e.g. workpiece weight, material and placement) that affect and limit the effective and proper heating of the workpiece.

MAX. WEIGHT WORKPIECE

Bearings	1600 kg
Other	1600 kg

CONTROLS



1 Sensor Mode

0 - 240 °C *
Power 5 - 100%

Actual temp. and power, Set temp. and power, Timer



Ramp Mode

5 - 240 °C *
0:00 - 99:59 (mm:ss / hh:mm)

Actual temp. and power, Set temp., Timer



2 Sensor Mode

0 - 240 °C *
 ΔT 20 - 50 °C

Actual temp., ΔT and power, Set temp. and ΔT , Timer



Time Mode

0:00 - 99:59 (mm:ss / hh:mm)
Power 5 - 100%

Actual temp. and power, Set time and power, Countdown timer

* Max. 400 °C, available on custom 400 °C execution.

OTHER

Languages (standard)	English, Spanish, German, French, Italian
Error report	Shown in display
Heating graph	Shown in display
External interface	USB 2.0 Port
Sound signal	Buzzer
Temperature hold	Yes
Demagnetizing	< 2A/cm
Magnetic probe	2 Sensors
Thermal safety guard coil	Yes
Warranty	Max. 36 months (24 + 12)

AVAILABLE YOKES (OPTIONAL)

<i>Dimensions (mm)</i>	<i>Min. bore (mm)</i>
60 x 60 x 1080	ø 85
80 x 80 x 1080	ø 115
100 x 100 x 1080	ø 145
150 x 150 x 1080	ø 215