

SURETHERM 10X

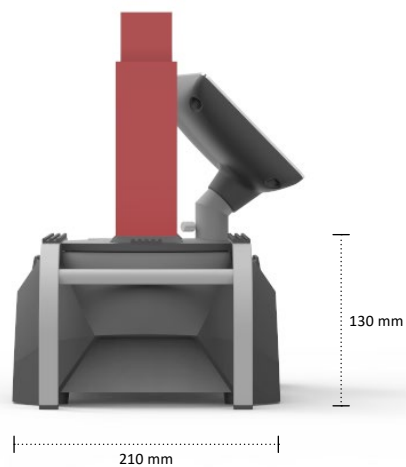
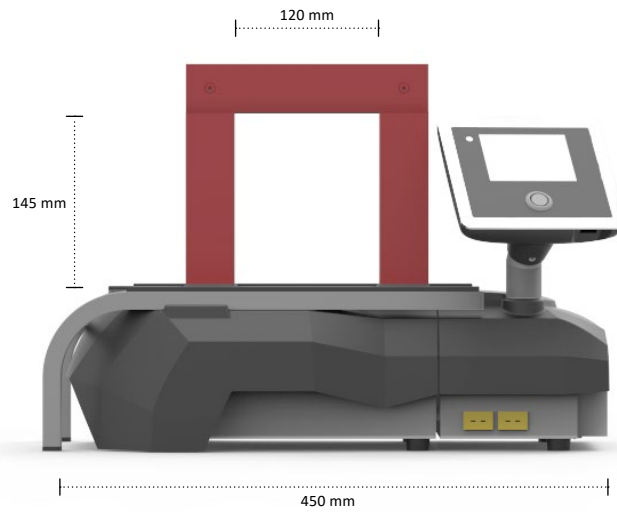


Power rating	3 kVA	Current max.	13 A
Voltage	110 - 230 V	Frequency	50 - 60 Hz

With the **SURETHERM** series TM Induction Heating introduced the new standard for induction heaters. The **SURETHERM** series are specially developed for tension free heating of bearings and gearwheels according to the industries' ever-growing standards and requirements. The unique 2 Sensor Mode will guarantee a fully controlled heating cycle. Without any extra effort, this heating method will prevent any unwanted tension in the bearing construction and changes to the metallurgic structures of gear wheels.

The modern touchscreen interface provides lots of settings and displays real time heating graphs in every heating mode. The graphs are downloadable through USB. Future firmware updates of both the touchscreen and the control board can be done easily through USB during the life cycle of the machine. And if you need to heat parts full power, as fast as possible, **SURETHERM** are the most powerful and effective low frequency induction heaters ever.

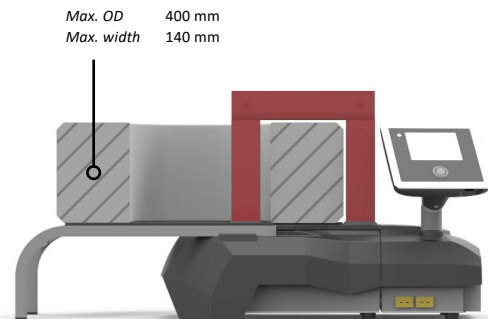
DIMENSIONS



DIMENSIONS WORKPIECE HORIZONTAL

(IN MILLIMETERS)

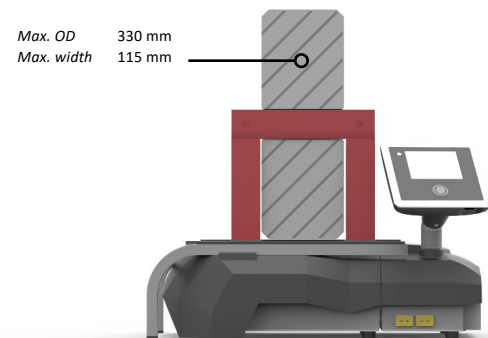
Min. bore	ø66
Max. outer diameter	ø400
Max. width	140
Max. width incl. ext. yokes	215



DIMENSIONS WORKPIECE VERTICAL

(IN MILLIMETERS)

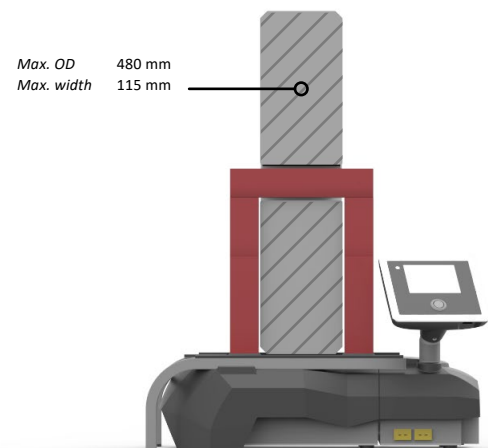
Max. outer diameter	ø330
Max. width	115
Max. outer diameter incl. ext. yokes	ø480



All extreme dimensions shown are theoretical. In practice there are multiple factors (e.g. workpiece weight, material and placement) that affect and limit the effective and proper heating of the workpiece.

MAX. WEIGHT WORKPIECE

Bearings	50 kg
Other	50 kg



CONTROLS



1 Sensor Mode

0 - 240 °C *
Power 5 - 100%

Actual temp. and power, Set temp. and power, Timer



Ramp Mode

5 - 240 °C *
0:00 - 99:59 (mm:ss / hh:mm)

Actual temp. and power, Set temp.,
Timer



2 Sensor Mode **

0 - 240 °C *
 ΔT 20 - 50 °C

Actual temp., ΔT and power, Set temp. and ΔT , Timer



Time Mode

0:00 - 99:59 (mm:ss / hh:mm)
Power 5 - 100%

Actual temp. and power, Set time and power, Countdown timer

* Max. 400 °C, available on custom 400 °C execution.

** 2nd sensor optional.

OTHER

Languages (standard)	English, Spanish, German, French, Italian
Error report	Shown in display
Heating graph	Shown in display
External interface	USB 2.0 Port
Sound signal	Buzzer
Temperature hold	Yes
Demagnetizing	< 2A/cm
Magnetic probe	1 Sensor (2nd Sensor optional)
Thermal safety guard coil	Yes
Warranty	Max. 36 months (24 + 12)

STANDARD YOKES

<i>Dimensions (mm)</i>	<i>Min. bore (mm)</i>
10 x 10 x 200	ø 15
14 x 14 x 200	ø 20
25 x 24 x 200	ø 35
40 x 38 x 200	ø 55

AVAILABLE YOKES

(OPTIONAL)

<i>Dimensions (mm)</i>	<i>Min. bore (mm)</i>
7 x 7 x 200	ø 10
30 x 26 x 200	ø 40
Extension yokes (set)	40 x 50 x 75