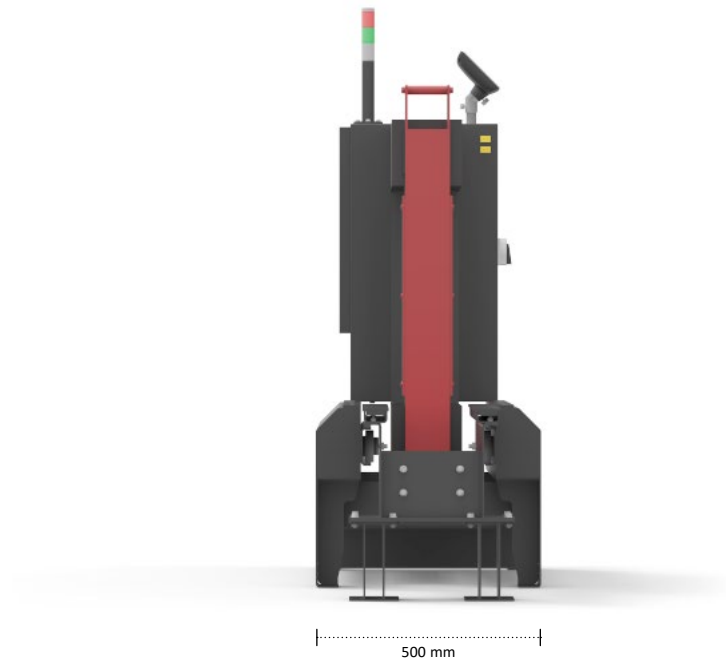
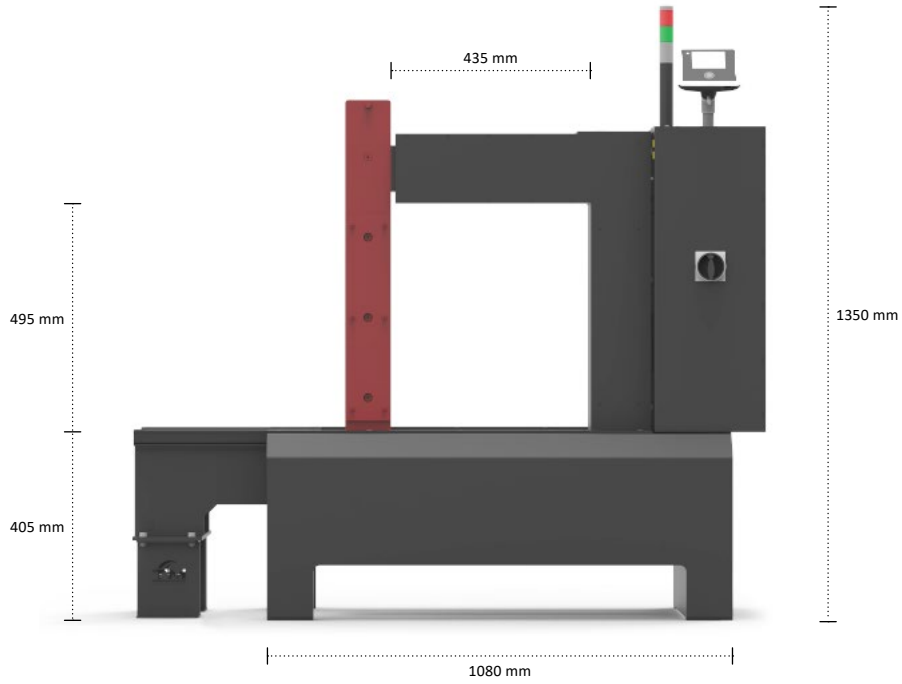


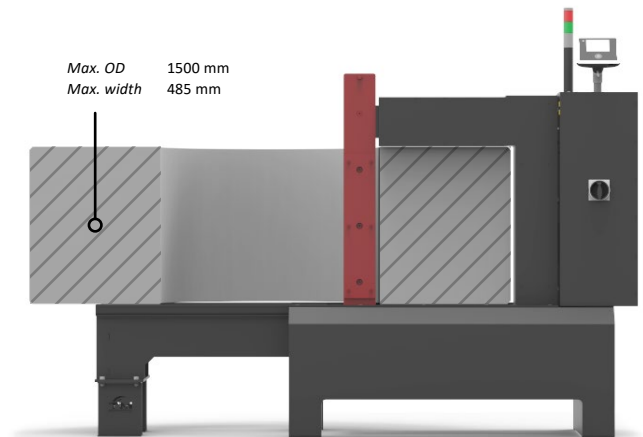
DIMENSIONS



DIMENSIONS WORKPIECE HORIZONTAL

(IN MILLIMETERS)

Min. bore	ø40
Max. outer diameter	ø1500
Max. width	485

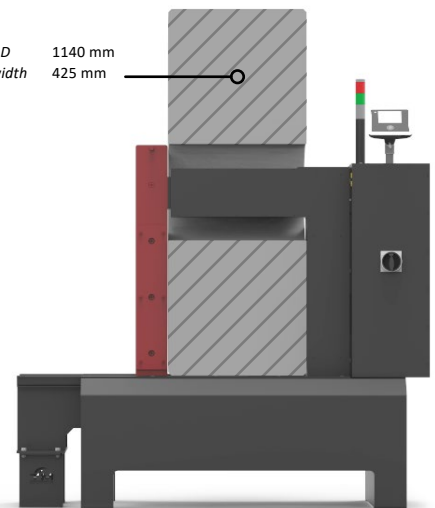


DIMENSIONS WORKPIECE VERTICAL

(IN MILLIMETERS)

Min. bore	ø300
Max. outer diameter	ø1140
Max. width	425

Max. OD 1140 mm
Max. width 425 mm

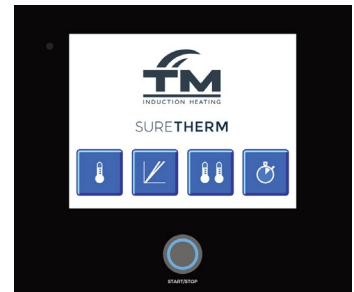


All extreme dimensions shown are theoretical. In practice there are multiple factors (e.g. workpiece weight, material and placement) that affect and limit the effective and proper heating of the workpiece.

MAX. WEIGHT WORKPIECE

Bearings	800 kg
Other	800 kg

CONTROLS



1 Sensor Mode

0 - 240 °C *
Power 5 - 100%

Actual temp. and power, Set temp. and power, Timer



Ramp Mode

5 - 240 °C *
0:00 - 99:59 (mm:ss / hh:mm)

Actual temp. and power, Set temp., Timer



2 Sensor Mode

0 - 240 °C *
 ΔT 20 - 50 °C

Actual temp., ΔT and power, Set temp. and ΔT , Timer



Time Mode

0:00 - 99:59 (mm:ss / hh:mm)
Power 5 - 100%

Actual temp. and power, Set time and power, Countdown timer

* Max. 400 °C, available on custom 400 °C execution.

OTHER

Languages (standard)	English, Spanish, German, French, Italian
Error report	Shown in display
Heating graph	Shown in display
External interface	USB 2.0 Port
Sound signal	Buzzer
Temperature hold	Yes
Demagnetizing	< 2A/cm
Magnetic probe	2 Sensors
Thermal safety guard coil	Yes
Warranty	Max. 36 months (24 + 12)

AVAILABLE YOKES

(OPTIONAL)

<i>Dimensions (mm)</i>	<i>Min. bore (mm)</i>
30 x 26 x 750	ø 40
40 x 38 x 750	ø 55
50 x 48 x 750	ø 70
60 x 60 x 750	ø 85
70 x 70 x 750	ø100
80 x 80 x 750	ø 115
90 x 90 x 750	ø 130
100 x 100 x 750	ø 145